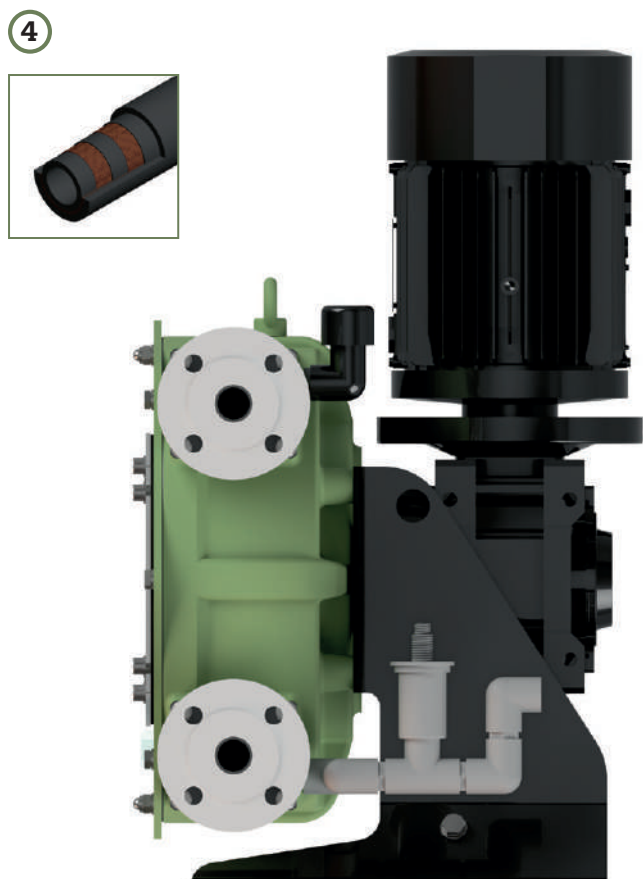


# PERIBEST C28 DATASHEET

TECHNICAL SPECIFICATIONS	MODEL C28
Max. Flow (continuous)	1600 l/h
Capacity	0,376 l/rev
Max. Discharge Pressure	10 bar
Max. Temperature	80 °C
Inner Diameter	28 mm.
Hose material	NR, EPDM
Connections material	AISI-316, PP, PVDF (PTFE)
Pump casing material	Alluminium Tefzel® coating



## MAIN FEATURES AND BENEFITS



- 1 THE BEST SOLUTION FOR DOSING AND TRANSFER ALL KIND OF ACIDS AND CORROSIVE PRODUCTS.

PUMP CASING AND FRONT COVER COATED IN TEFZEL® TOTALLY ANTICORROSIVE.

- 2 HOSE LEAKAGE SENSOR AND DRAINAGE SYSTEM INCLUDED.

FLOAT LEVEL SENSOR, AND DRAINAGE SYSTEM TO AVOID ANY ACCUMULATION OF CORROSIVE PRODUCTS INSIDE THE PUMP CASING.

- 3 EXTREMELY HEAVY DUTY DESIGN FOR THE MOST DEMANDING APPLICATIONS UP TO 10 BAR.

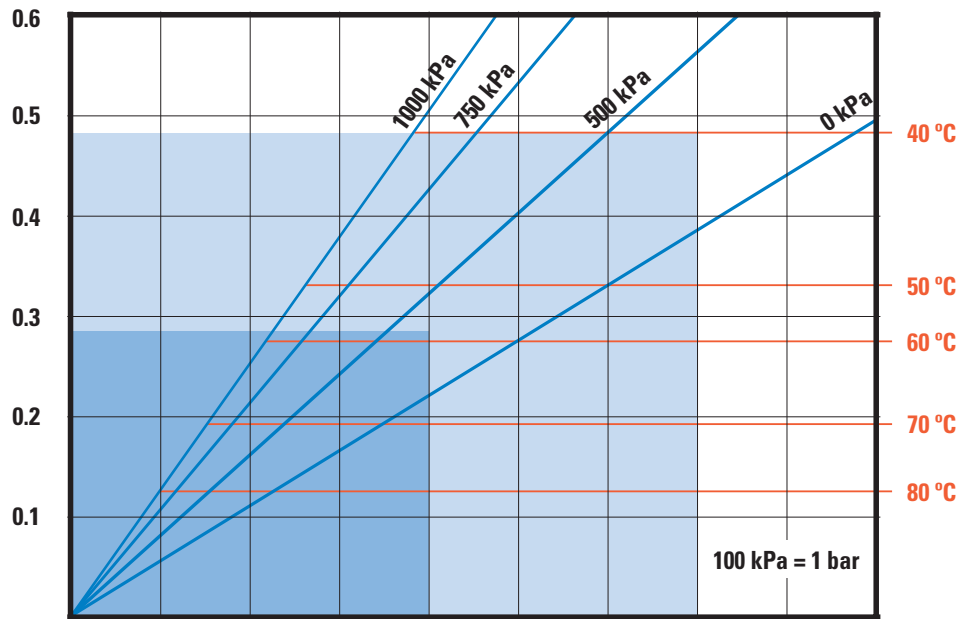
UNMATCHED PUMP LIFE AND EXCELLENT EQUIPMENT PERFORMANCE UNDER ANY OPERATING CONDITIONS HOWEVER DEMANDING.

- 4 LATEST TECHNOLOGY PERISTALTIC HOSE.

SAVING ON HOSE CONSUMPTION AND EASE OF INSTALLATION DOWNTIME OPTIMISATION.

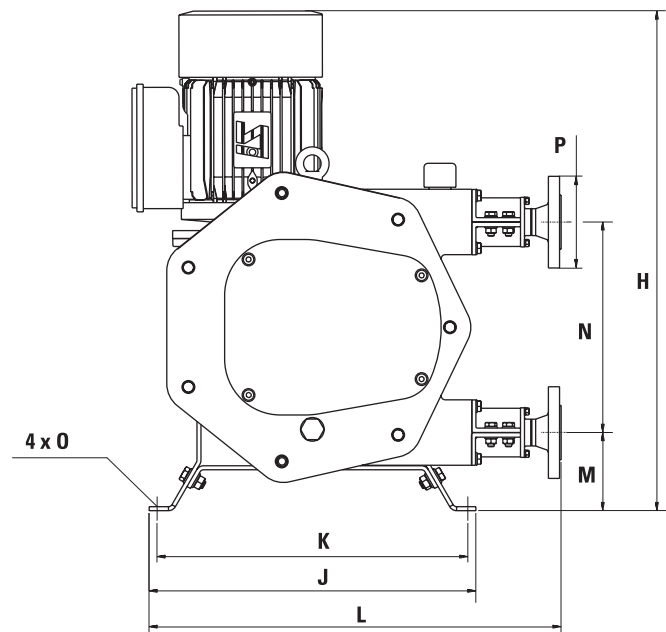
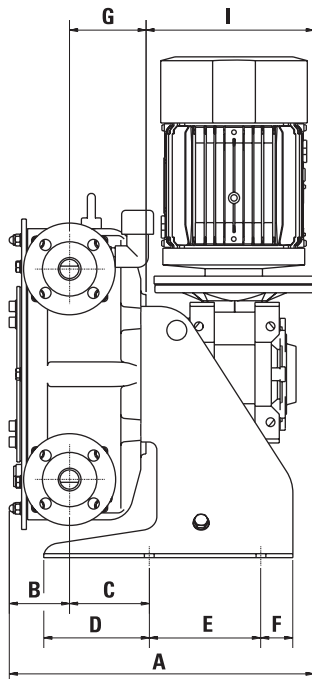
**REQUIRED  
MOTOR POWER (KW)**

**PRODUCT  
TEMPERATURE (°C)**



<b>PUMP SPEED (RPM)</b>	10	20	30	40	50	60	70	80	90
<b>CAPACITY (L/H)</b>	226	452	677	903	1129	1355	1581	1806	2032

<b>PRESSURE (kPa)</b>	0 kPa	500 kPa	750 kPa	1000 kPa
<b>TORQUE (Nm)</b>	55	75	100	125



MODEL	A*	B	C	D	E	F	G	H	I*	J	K	L	M	N	O	P
C28	382,3	75,6	100	132,3	140	40	96	627	211	410	390	517	98	264	12	DN-25

\*Depending on the driver, dimensions could change.